



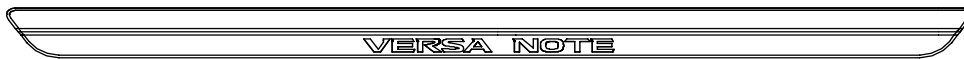
GENUINE PARTS

INSTALLATION INSTRUCTIONS

DESCRIPTION:	Door Sill Plate, Kit
APPLICATION:	Versa Note
PART NUMBER:	T99G6 9MD0A / 1A / 2A / 3A/ 4A / 5A

KIT CONTENTS:

Item	Qty.	Part Description
A	2	Kick Plate, Front
B	2	Alcohol Cleaning Wipes
C	1	Installation Instruction Replacement Template



A



B



C

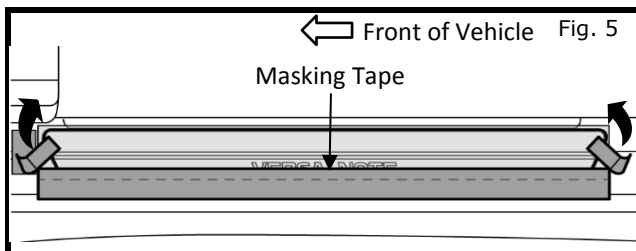
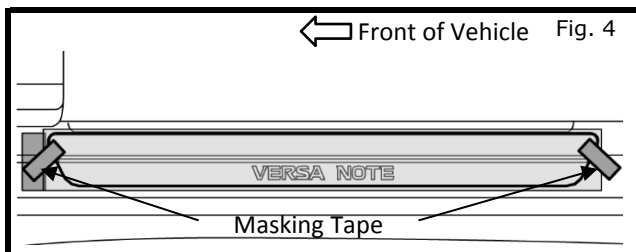
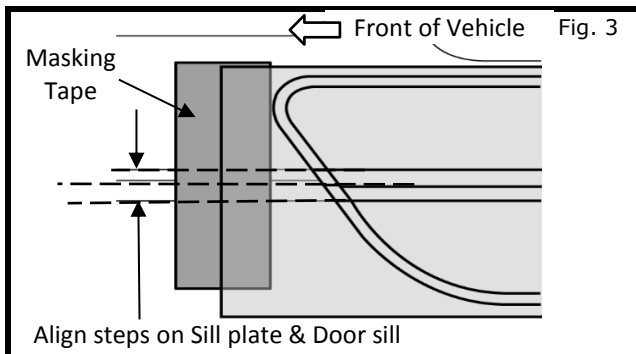
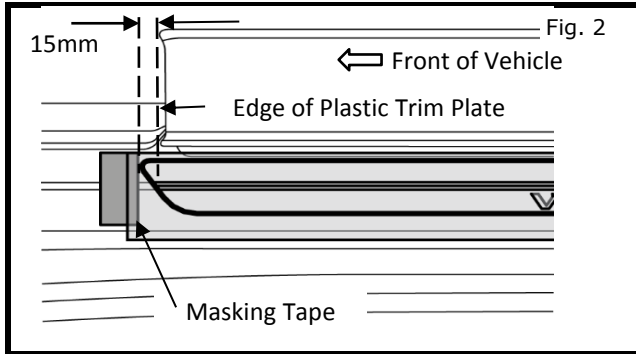
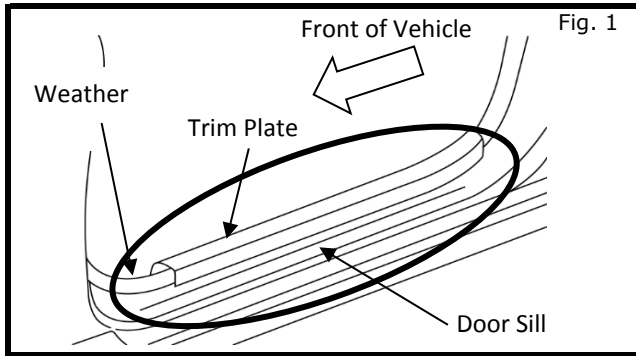
TOOLS REQUIRED:

- Soft Lint free Micro fiber cloth
- Masking Tape
- Measuring Tape

PRE-INSTALLATION WARNINGS, CAUTIONS, CRITICAL STEPS, and NOTES:

- Dealer Installation Recommended.
- Install in non-dusty environment
- Thoroughly wash installation area with soap and water. Allow to dry.
- Clean vehicle surface using alcohol wipe prior to installation
- Ensure no finger prints are left on the adhesive surface when handling Sill Plate
- Install at ambient temperature of 65-80° F

INSTALLATION PROCEDURE:



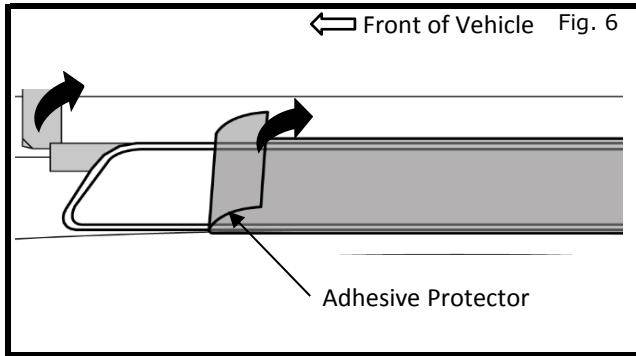
- 1) Thoroughly clean driver side front door sill area, weather strip and plastic trim plate with soap and water to remove any dirt or debris. Allow to dry.
- 2) Wipe with clean, lint-free cloth and then clean area on the door where the Sill plate will be installed using alcohol wipes provided in kit.
- 3) Locate front edge of the plastic trim plate and place masking tape 15mm (5/8") forward of this location. Align Sill Plate to masking tape edge.

NOTE:

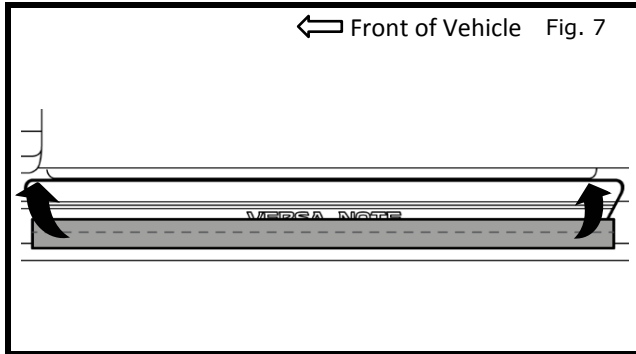
Sill plate is universal part. Only DRIVER SIDE shown for reference

- 4) Position Sill plate by horizontally aligning step feature on Sill plate with step feature on vehicle door sill area along length of Sill plate.
- 5) After positioning, hold Sill plate firmly in place, tape ends using masking tape.
- 6) Tape along the bottom edge to create hinge, making sure tape is wider than Sill plate protector. Remove tapes at both ends.

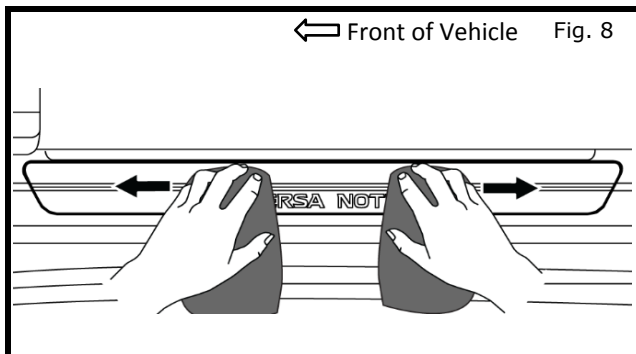
INSTALLATION PROCEDURE:



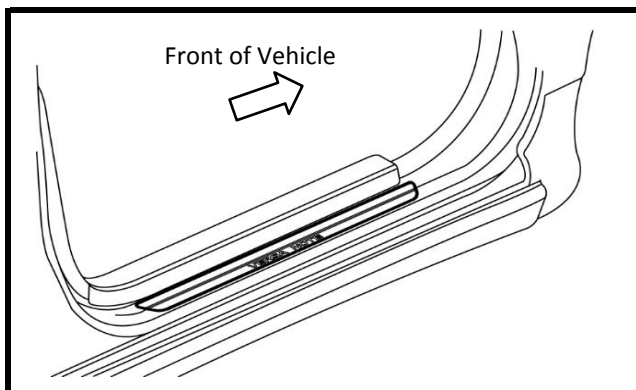
- 7) Flip Sill plate over along the tape hinge. Remove adhesive liner ensuring no prints are left on adhesive surface. Remove masking tape for location used in Step 3



- 8) Flip Sill plate back into position along tape hinge



- 9) Use a clean towel to apply pressure firmly on the Sill plate. Apply 15lb pressure in smooth strokes along the length of the Sill plate for 30 seconds, starting in the center, working out to each end. Remove masking tape at hinge.



- 10) Repeat steps 1 through 9 for passenger side